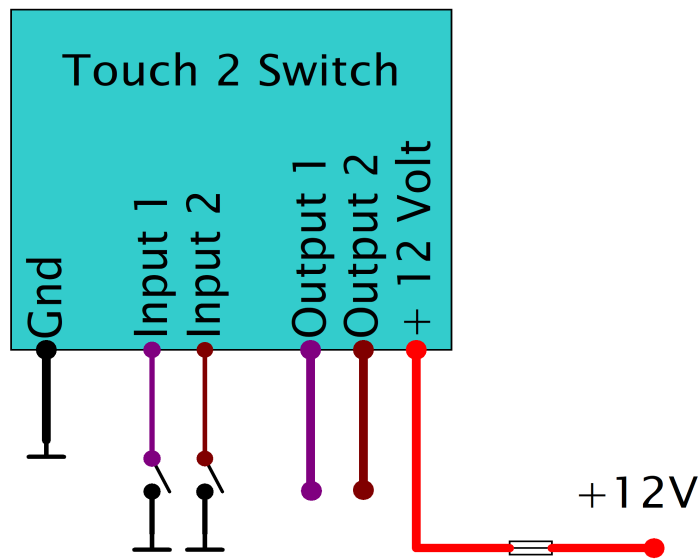


Installation instruction Touch 2 Switch

No time for manuals? No problem, this will only take a few minutes of your time to read it and the installation of your new Touch 2 Switch is done fast and easy :-)



Color	Description
Violet (thin)	Button input for output 1. The output 1 will toggle between on and off if this cable is connected to ground via a push button
Brown (thin)	Button input for output 2. The output 2 will toggle between on and off if this cable is connected to ground via a push button
Red	+ 12 Power
Violet (thick)	Output 1
Brown (thick)	Output 2
Black	Ground

Note:

The Touch 2 Switch module can also be used as **standard headlight relay** if you wire the thin brown and violet cable together. The first connection to ground with a button will switch on the output 1 (low beam). The next touch to ground will toggle the 2 outputs (low – and highbeam).

Pls. note that you need to add a flyback diode if you want to switch inductive loads like the ignition or a starter relay. The Touch 2 switch can not survive inductive loads w/o the diode.

The Touch 2 Switch was developed to be used on show bikes and racing bikes. It should be installed by professional well trained mechanics only. Please check your local regulations regarding the traffic light rules in your country before of the use of the Touch 2 Switch in your bike. Please be aware that we are not responsible for any hazards, damages or disadvantages due to the use of this device. These module are registered under the number DE54933725 WEEE as B2C device. We also declare that the module is conform to the CE and ROHS regulations for the European market.

We tried to keep the functions of the Touch 2 Switch and this manual as simple as possible. However, please don't hesitate to contact us at info@elektronikbox.de if you have any questions during the installation.

We wish you to have a lot of fun with your new Touch 2 Switch in your bike and of course always Ride Safe!