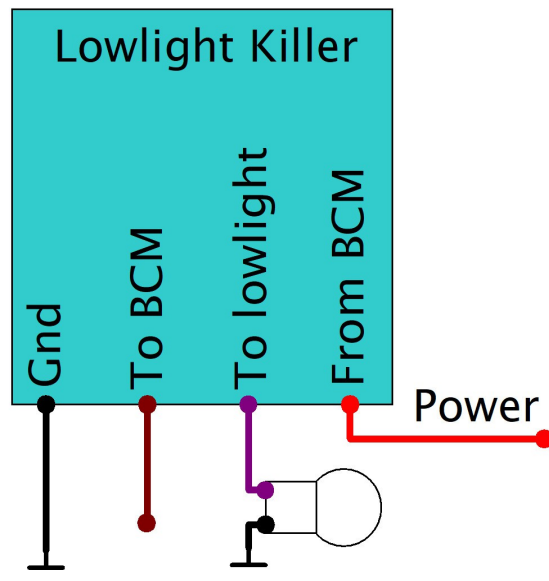


Installation Lowlight Killer

No time for manuals? No problem, this will only take a few minutes of your time to read it and the installation of your new Lowlight Killer is done fast and easy :-)

The Lowlight Killer switches off the marker light / indicator combination at your car if no direction indicator is activated. This is required for US cars in the EU with front amber marker light / indicator combinations.



Color	Description
Red	Indicator Input from the bcm module
Violet	Output to the indicator / marker light
Brown	Return line to bcm module if your car have a lamp fail wire to the bcm module
Black	Minus / ground

The Lowlight Killer should be installed by professional well trained engineers. Please check your local regulations regarding the traffic light rules in your country before use the Lowlight Killer in your vehicle. Please be aware that we are not responsible for any hazards, damages or disadvantages due to the use of this device. We also declare that the Lowlight Killer is conform to the CE and ROHS regulations for the European market.

We tried to keep the functions of the Lowlight Killer and this manual as simple as possible. However, please don't hesitate to contact us at info@elektronikbox.de if you have any questions during the installation.

We wish you to have a lot of fun with your Lowlight Killer in your car and of course always drive Safe!