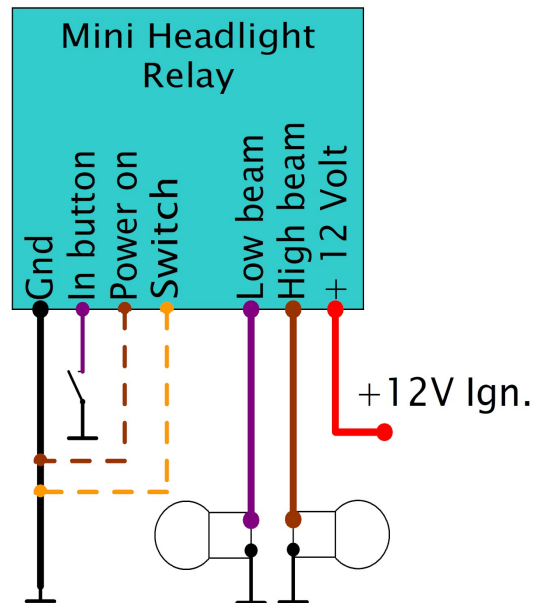


Installation instruction Mini (Headlight) Switch-relay

No time for manuals? No problem, this will only take a few minutes of your time to read it and the installation of your new Mini Switch-relay is done fast and easy :-)



Color	Description
Violet (thin)	Button - or switch input for the head light. This cable is wired to the switch of button. The other cable of the button is wired to ground.
Brown (thin)	Program cable for power on - head light off function. This function is enabled when the thin brown cable is wired to ground. In this mode you have more power for the starter motor. The head light switches on after a press on the button. This function is usable in button mode.
Yellow	The module works with a (permanent) switch if this cable is wired to ground and it works with a (momentary) push button if you leave this cable open.
Red (thick)	+ 12 Power
Violet (thick)	Output low beam
Brown	Output high beam
Black	Ground

Note:

All unused program cables can be cut and should be insulated. the outputs can handle all kind of 12 Volt led flashers and light bulbs up to 60 Watt per side. **Please note that the Mini Switch-relay is made for installation in the handle bar or in the head light. An installation somewhere else at the bike with a short distance to the ignition might result in "funny" unwanted functions of the Mini Switch-relay.**

The Mini Switch-relay was developed to be used on show bikes and racing bikes. It should be installed by professional well trained mechanics only. Please check your local regulations regarding the traffic light rules in your country before of the use of the Mini Switch-relay in your bike. Please be aware that we are not responsible for any hazards, damages or disadvantages due to the use of this device. The electronicbox devices are registered under the number DE54933725 WEEE as B2C device. We also declare that the Mini Switch-relay is conform to the CE and ROHS regulations for the European market.

We tried to keep the functions of the Mini Switch-relay and this manual as simple as possible. However, please don't hesitate to contact us at info@elektronikbox.de if you have any questions during the installation.

We wish you to have a lot of fun with your new Mini Switch-relay in your bike and of course always Ride Safe!