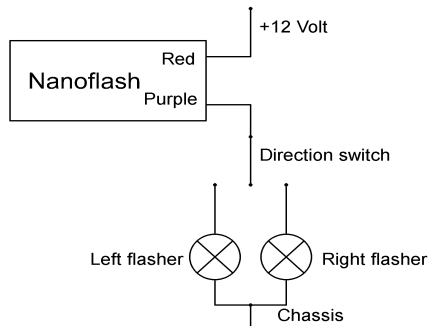


Nanoflash

This is with the dimensions of 15 x 9 x 5 mm one of the worldwide smallest flasher relays for custombikes. The load range is between 0,1 and 42 Watt and the flasher frequency is independent of the connected load.

Manufacturing:

Axel Joost Elektronik
Selsinger Str. 28
27404 Rhade / Germany
Web: www.elektronikbox.de



The Nanoflash is connected between the 12 Volt line and the flasher switch. Please take care that the red cable is connected to + 12 Volt and the violet / purple cable is connected to the switch. An accidental change of both cables might destroy the Nanoflash. By the way, some new led devices with a power consumption below 0,1 Watt tend to glow a bit between the flashes in connection with the Nanoflash. You can wire the included resistor in the package between the purple cable and ground if this effect is happen with your led indicators. This will prevent the led's to glow between the flashes. The electronicbox devices are registered under the number DE54933725 WEEE as B2C device. We declare that the Nanoflash is conform to the CE and ROHS regulations for the European market.

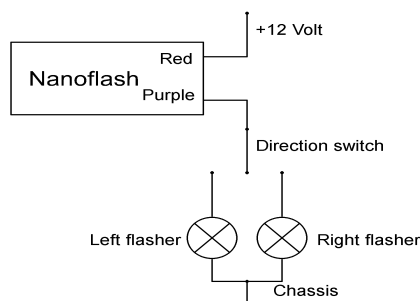
Please don't hesitate to contact us at info@elektronikbox.de if you have any questions while the installation.

Nanoflash

This is with the dimensions of 15 x 9 x 5 mm one of the worldwide smallest flasher relays for custombikes. The load range is between 0,1 and 42 Watt and the flasher frequency is independent of the connected load.

Manufacturing:

Axel Joost Elektronik
Selsinger Str. 28
27404 Rhade / Germany
Web: www.elektronikbox.de



The Nanoflash is connected between the 12 Volt line and the flasher switch. Please take care that the red cable is connected to + 12 Volt and the violet / purple cable is connected to the switch. An accidental change of both cables might destroy the Nanoflash. By the way, some new led devices with a power consumption below 0,1 Watt tend to glow a bit between the flashes in connection with the Nanoflash. You can wire the included resistor in the package between the purple cable and ground if this effect is happen with your led indicators. This will prevent the led's to glow between the flashes. The electronicbox devices are registered under the number DE54933725 WEEE as B2C device. We declare that the Nanoflash is conform to the CE and ROHS regulations for the European market.

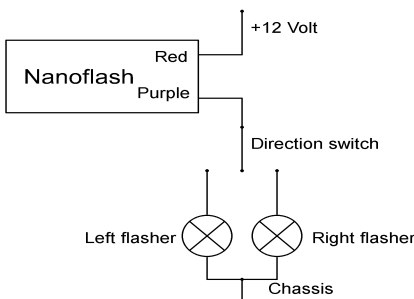
Please don't hesitate to contact us at info@elektronikbox.de if you have any questions while the installation.

Nanoflash

This is with the dimensions of 15 x 9 x 5 mm one of the worldwide smallest flasher relays for custombikes. The load range is between 0,1 and 42 Watt and the flasher frequency is independent of the connected load.

Manufacturing:

Axel Joost Elektronik
Selsinger Str. 28
27404 Rhade / Germany
Web: www.elektronikbox.de



The Nanoflash is connected between the 12 Volt line and the flasher switch. Please take care that the red cable is connected to + 12 Volt and the violet / purple cable is connected to the switch. An accidental change of both cables might destroy the Nanoflash. By the way, some new led devices with a power consumption below 0,1 Watt tend to glow a bit between the flashes in connection with the Nanoflash. You can wire the included resistor in the package between the purple cable and ground if this effect is happen with your led indicators. This will prevent the led's to glow between the flashes. The electronicbox devices are registered under the number DE54933725 WEEE as B2C device. We declare that the Nanoflash is conform to the CE and ROHS regulations for the European market.

Please don't hesitate to contact us at info@elektronikbox.de if you have any questions while the installation.