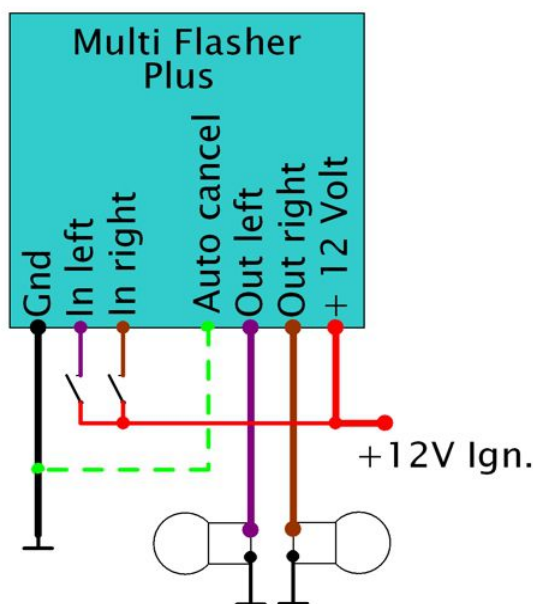


## Installation instruction Multi Flasher Plus

No time for manuals? No problem, this will only take a few minutes of your time to read it and the installation of your new Multi Flasher Plus is done fast and easy :-)



Color	Description
Violet (thin)	Button input for the left flasher. Just connect it to your button and wire the other button cable to plus 12 Volt ignition. A button press will activate the flasher left.
Brown (thin)	Button input for the right flasher. This cable is wired to the button and the other button cable is wired to 12 Volt ignition. A button press will activate the flasher right. By the way, a simultaneous press on both buttons will activate an emergency flasher function.
Green	Flasher auto off function. This function is disabled when this cable is wired to ground and enabled when this cable is left open. In this mode the number of flashes is controlled by the time of the button press. A short press will result in 4 flashes, a button press between about 0,5 and 1 second will result in 30 flashes and a longer press above 1 second will result in permanent flashes.
Red (thick)	+ 12 Power
Violet (thick)	Output left flasher
Brown	Output right flasher
Black	Ground

### Note:

**All unused program cables can be cut and should be insulated.** The outputs can control all kinds of 12 Volt led flashers and "traditional" halogen bulbs up to 60 Watt per side. **Please note that the Multi Flasher Plus is made for installation in the handle bar or in the head light. An installation somewhere else at the bike with a short distance to the ignition results sometimes in "funny" unwanted functions of the Multi Flasher Plus due to electrostatic disturbances.**

The Multi Flasher Plus should be installed by professional well trained engineers. Please check your local regulations regarding the traffic light rules in your country before using the Multi Flasher Plus in your bike. Please be aware that we are not responsible for any hazards, damages or disadvantages due to the use of this device. We also declare that the Multi Flasher Plus is conform to the CE and ROHS regulations for the European market.

We tried to keep the functions of the Multi Flasher Plus and this manual as simple as possible. However, please don't hesitate to contact us at [info@elektronikbox.de](mailto:info@elektronikbox.de) if you have any questions during the installation.

**We wish you to have a lot of fun with your new Multi Flasher Plus in your bike and of course always Ride Safe!**