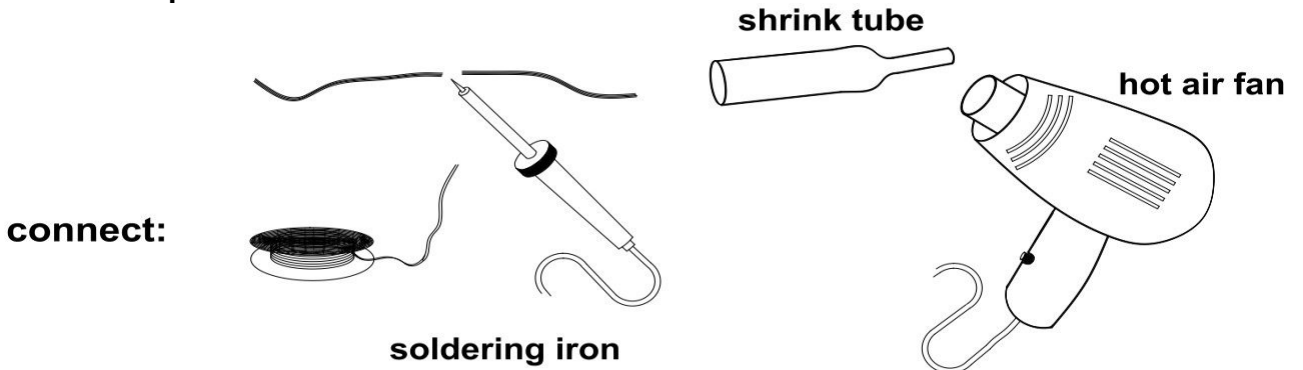


# Installation manual Elektronikbox, Ver. G

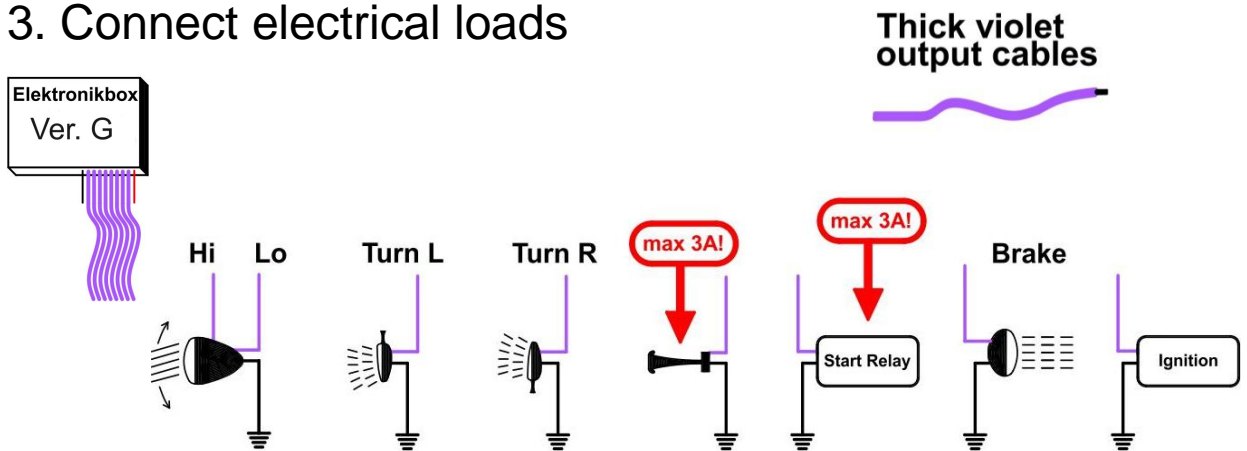
## 1. Read Manual



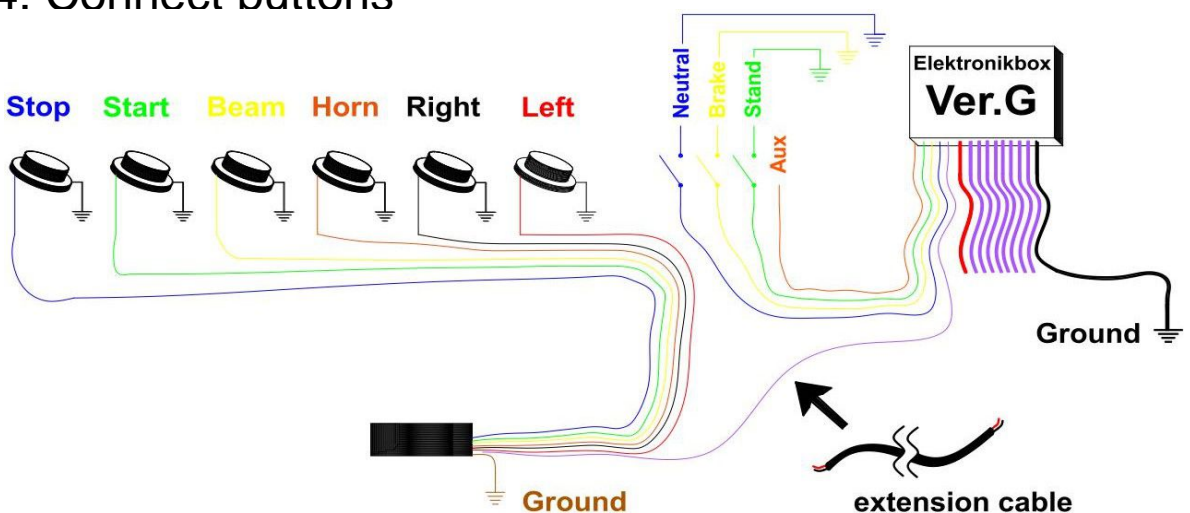
## 2. Required tools



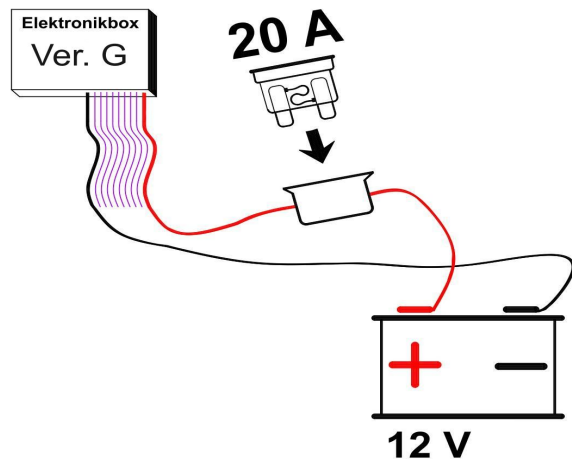
## 3. Connect electrical loads



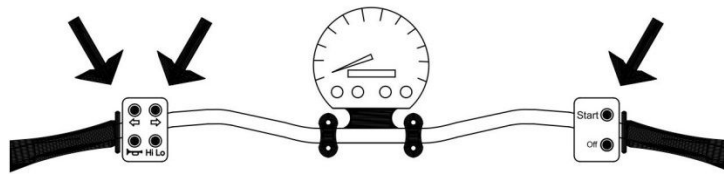
## 4. Connect buttons



## 5. Connect power



## Check functions



## 6. Personal settings

1. Press & hold "Horn" button
2. Ignition
3. Release "Horn" button
4. You're in program menu!  
See program options in manual.
5. Step through program menu by pressing turn-buttons
6. **Important:**  
You must step through all 6 menu items, before your selections are saved!

Flashes	Mode	Left flasher button	Right flasher button	Description
1 x	Show flasher	Off	On	2 flashes when power on the G-Box
2 x	Flasher auto off	Off	On	The flashers switch off after 40 times
3 x	Low light	Off	On	The flashers glow with about 25 % when flasher function is off
4 x	Brake Light / Rear light	Off	On	The rear light will glow with 40 % if no brake switch is activated.
5 x	Start - Stop buttons	1 button for start / stop	2 button for start / stop	You can use 1 or 2 buttons for start and stop
6 x	Stand - and neutral switches	Switches enabled	Switches disabled	Ignition and starter controlled by stand - and neutral sw.